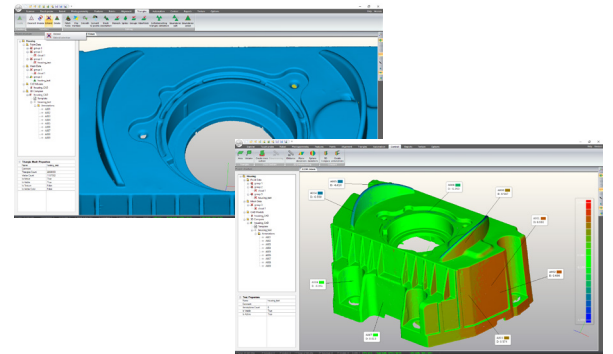




TURN ON
3D TECHNOLOGY
IN YOUR BUSINESS
Create digital twin



SMARTTECH3D ON guarantees:

- Stereoscopic measurement using two detectors
- Aluminum housing and carbon fiber construction resistant to temperature changes

The 3D scanner obtains high precision of mapping, which is crucial in reverse engineering, as well as ensures the possibility of realistic scanning of color texture, necessary in digitalization.

Stereoscopic measurement system

High-class detectors that perform stereoscopic measurements allow the elimination of measurement noise and use bi-directional projection of the fringes, guaranteeing a more precise representation of the sharp edges of the measured objects.

High-accuracy 3D scanning

The SMARTTECH3D scanner is a factory-calibrated metrological tool, certified by the manufacturer according to German guidelines VDI/VDE 2634, and its measurement accuracy can be additionally confirmed by a certificate of an independent accredited metrology laboratory.

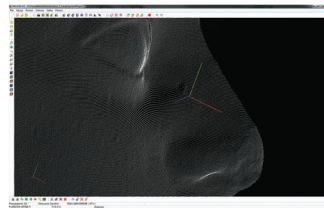
Detailed reproduction of fine details

The resolution of the new 3D scanner allows for increasing the efficiency of scanning objects with a high degree of complexity and fully automates the entire process.

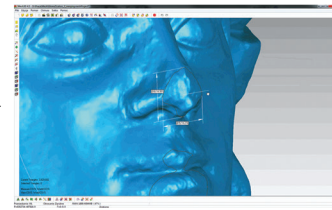
The software connected with the scanner allows the user to immediately start a comprehensive process of digitizing the measured objects. SMARTTECH3Dmeasure guides him through scanning and data processing up to a closed model ready for 3D printing or final control report in PDF format. Thanks to unique data management algorithms, our software ensures smooth work with massive clouds of points (over 300 million) on standard laptops. The built-in function of adjusting the projection intensity and other measurement parameters make it possible to scan objects with a dark or glossy surface.



3D scanning process



The result of 3D scanning — cloud of points (X, Y, Z with RGB)



Virtual analysis of the object

TECHNICAL SPECIFICATION

SMARTTECH3D ON:

Model	1,6-1,6 MP		
Scanning Technology	WHITE LED		
Detector resolution	1,6MP	1,6MP	1,6MP
Measuring field* [mm ²]	150x113	200x150	300x225
Measuring depth* [mm]	75	90	120
Sampling* [pts/mm ²]	92	52	23
Accuracy[mm]	0,04	0,05	0,06

Model	5-5 MP		
Scanning Technology	WHITE LED		
Detector resolution	5MP	5MP	5MP
Measuring field* [mm ²]	150x113	200x150	300x225
Measuring depth* [mm]	75	90	120
Sampling* [pts/mm ²]	297	167	74
Accuracy[μm]	0,04	0,05	0,06

SMARTTECH3D Quality Station:

Model	5-5 MP	
Scanning Technology	WHITE LED	
Detector resolution	5MP	5MP
Measuring field* [mm ²]	150x113	200x150
Measuring depth* [mm]	75	90
Sampling* [pts/mm ²]	297	167
Accuracy[μm]	0,031	0,04

* +/- 10% value

Additional Accessories:



SMARTTECH3D Quality Station



Automatic Rotary Stage:

- max load 15kg, diameter 200mm
- max load 60kg, diameter 500mm
- max load 300kg, diameter 500mm

Some of our customers:



Official representative:

SMARTTECH Ltd.
sales@smarttech3d.com
www.smarttech3d.com