

## 2 Micron CW Fiber Laser

### AP-CW1

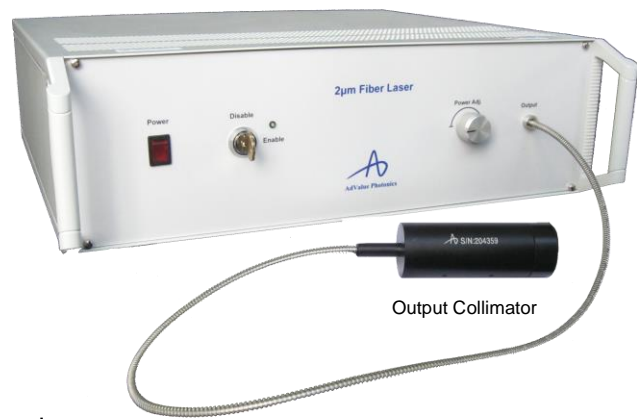
With their compact size, high efficiency, low maintenance, and ease of operation, AdValue Photonics' 2 $\mu$ m fiber lasers provide many advantages over traditional bulk Holmium and Thulium solid state lasers.

#### Applications:

- LIDAR
- Gas sensing
- Mid-IR generation
- Test and measurement
- Scientific research

#### Features:

- Customizable operating wavelength
- Adjustable output power
- Near diffraction limited beam quality
- Turn-key system with no maintenance required



#### Optical Characteristics:

| Parameter            | Specification                         |
|----------------------|---------------------------------------|
| Operation mode       | CW                                    |
| Operating wavelength | 1950 nm (option: 1900-2100 nm)        |
| Wavelength accuracy  | $\pm 5$ nm nominal                    |
| Output power         | 5 W (higher or lower power available) |
| Power adjustment     | 10-100% max.                          |
| Spectral linewidth   | < 1 nm                                |
| Beam quality, $M^2$  | < 1.1                                 |
| Output polarization  | Random (option: linear polarization)  |
| Output delivery      | Optical fiber or fiber collimator     |

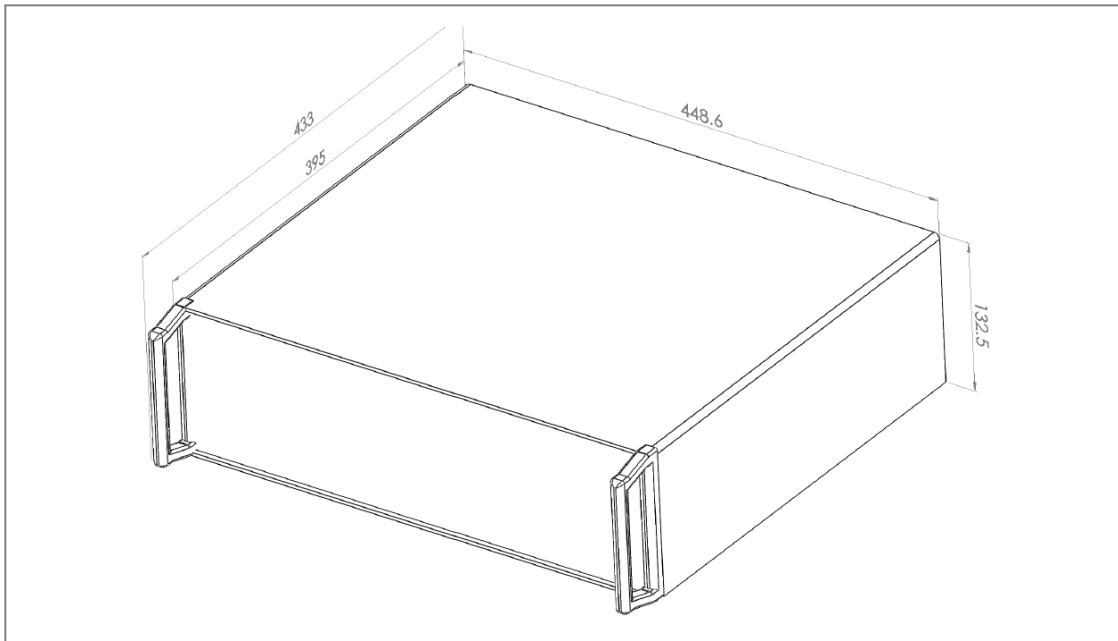
(For special requirement, please contact AdValue Photonics for options.)

*Specifications subject to change without notice*

## General Characteristics:

| Parameter             | Specification                   |
|-----------------------|---------------------------------|
| Operating temperature | 10 to +35 °C                    |
| Storage temperature   | -10 to +70 °C                   |
| Cooling               | Forced air                      |
| Power requirement     | AC 100~240 V (50/60Hz)          |
| Warm-up time          | 10 minutes                      |
| Package dimensions    | 448.6(W) x 433(D) x 132.5(H) mm |

## Mechanical Outline:



## Ordering Information:

| Part Number: | AP-CW1 | - | xxxx   | - | xx   | - | xx  |
|--------------|--------|---|--|---|--|---|---|
|              |        |   | Standard Wavelength:<br>1950 = 1950 nm<br>Custom Wavelength:<br>xxxx = xxxx nm |   | Output Power:<br>01 = 1 W<br>02 = 2 W<br>05 = 5 W<br>10 = 10 W |   | Polarization:<br>RP = random polarization<br>LP = linear polarization |



Specifications subject to change without notice